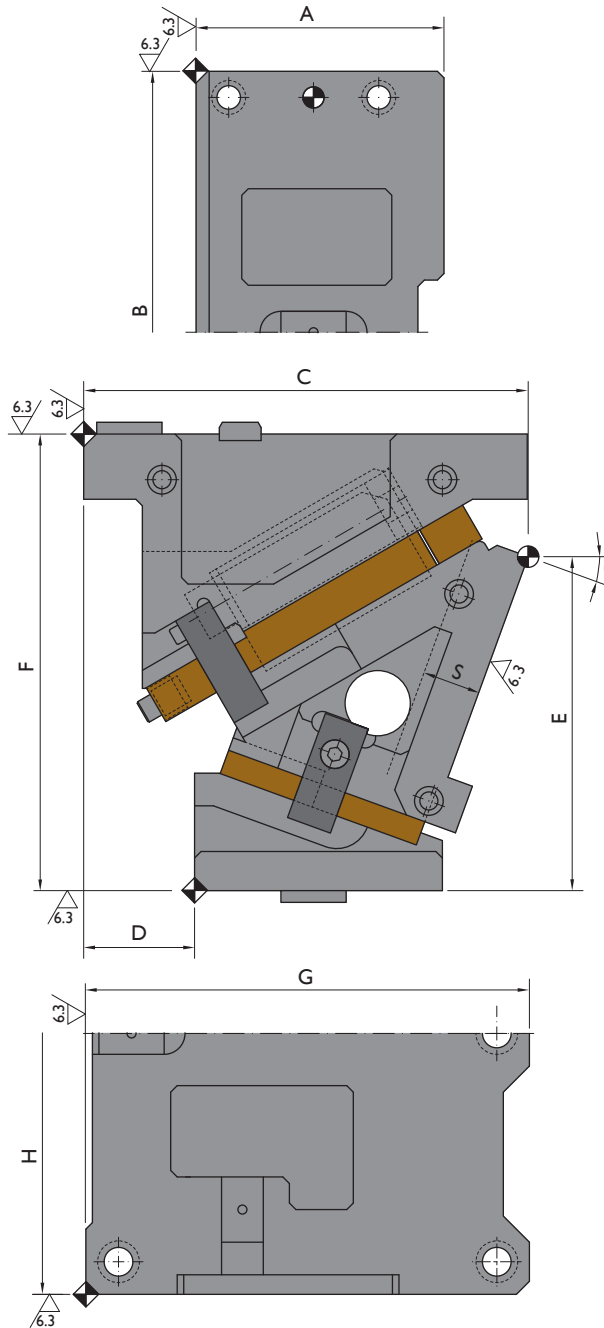
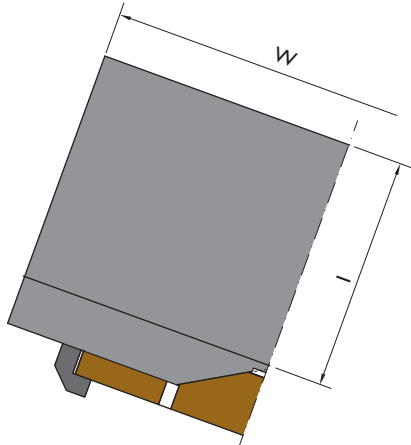
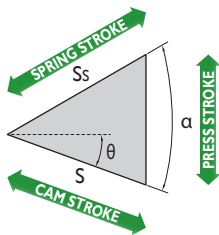


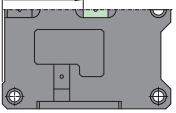
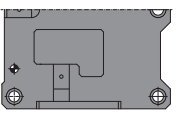
WEB
↓
CAD



CAM DIAGRAM



Available Options

		FAK	NP
		 <p>Different key positions available (Forward distance)</p>	 <p>Additional Ø16 H7 pin holes available for cam holder</p>
CACW	200	FAK (180 mm)	NP
CACW	300	FAK (260 mm)	NP
CACW	400	FAK (215 mm)	NP
CACW	500	FAK (280 mm)	NP
CACW	600	FAK (215 mm)	NP

Ordering example: CACW-W-θ-FAK-NP

CACW-300-10 (Standard dimensions)

CACW-300-10-FAK-NP (Key position 260 mm forward and Ø16 H7 additional pin holes)

Order No.			Main Features					General Dimensions										
Model	W mm	θ °	S mm	Working Force tnf		Weight kg	Spring Force kgf	A mm	B mm	C mm	D mm	E mm	F mm	G mm	H mm	I mm	Ss mm	α °
				1,000,000 strokes	300,000 strokes													
CACW 200 00	200	00	38.6	12	24	95	1400	190	200	313	138	292	350	340	200	180	60	50
CACW 200 05	200	05	42.6	12	24	94.8	1400	190	200	320.64	125	285.66	350	340	200	180	60	50
CACW 200 10	200	10	46.7	12	24	94.6	1400	190	200	331.08	115	277.53	350	340	200	180	60	50
CACW 200 15	200	15	50.9	12	24	93.3	1400	190	200	336.17	100	267.63	350	340	200	180	60	50
CACW 200 20	200	20	55.3	12	24	92.7	1400	190	200	340.76	85	256	350	340	200	180	60	50
CACW 200 30	200	30	65.1	12	24	92.7	1400	190	200	347.83	55	237.75	350	340	200	180	60	50
CACW 200 40	200	40	77.1	12	24	94.2	1400	190	200	351.17	25	213.34	350	340	200	180	60	50
CACW 200 50	200	50	93.3	12	24	93.7	1400	190	200	348.77	-6	188.51	350	340	200	180	60	50
CACW 200 60	200	60	120	12	24	97.3	1400	190	200	332.75	-45	154.17	350	340	200	180	60	60
CACW 300 00	300	00	38.6	20	40	137.2	2800	190	250	313	138	292	350	340	300	180	60	50
CACW 300 05	300	05	42.6	20	40	135.9	2800	190	250	320.64	125	285.66	350	340	300	180	60	50
CACW 300 10	300	10	46.7	20	40	135.7	2800	190	250	331.08	115	277.53	350	340	300	180	60	50
CACW 300 15	300	15	50.9	20	40	133	2800	190	250	336.17	100	267.63	350	340	300	180	60	50
CACW 300 20	300	20	55.3	20	40	131.5	2800	190	250	340.76	85	256	350	340	300	180	60	50
CACW 300 30	300	30	65.1	20	40	131	2800	190	250	347.83	55	237.75	350	340	300	180	60	50
CACW 300 40	300	40	77.1	20	40	133.3	2800	190	250	351.17	25	213.34	350	340	300	180	60	50
CACW 300 50	300	50	93.3	20	40	130.9	2800	190	250	348.77	-6	188.51	350	340	300	180	60	50
CACW 300 60	300	60	120	20	40	136.1	2800	190	250	332.75	-45	154.17	350	340	300	180	60	60
CACW 400 00	400	00	38.6	25	50	191.1	2800	190	400	313	138	292	350	340	400	180	60	50
CACW 400 05	400	05	42.6	25	50	189.3	2800	190	400	320.64	125	285.66	350	340	400	180	60	50
CACW 400 10	400	10	46.7	25	50	188	2800	190	400	331.08	115	277.53	350	340	400	180	60	50
CACW 400 15	400	15	50.9	25	50	186.1	2800	190	400	336.17	100	267.63	350	340	400	180	60	50
CACW 400 20	400	20	55.3	25	50	185.3	2800	190	400	340.76	85	256	350	340	400	180	60	50
CACW 400 30	400	30	65.1	25	50	185.8	2800	190	400	347.83	55	237.75	350	340	400	180	60	50
CACW 400 40	400	40	77.1	25	50	191.9	2800	190	400	351.17	25	213.34	350	340	400	180	60	50
CACW 400 50	400	50	93.3	25	50	191.8	2800	190	400	348.77	-6	188.51	350	340	400	180	60	50
CACW 400 60	400	60	120	25	50	201.1	2800	190	400	332.75	-45	154.17	350	340	400	180	60	60
CACW 500 00	500	00	38.6	32	64	222.3	4200	190	400	313	138	292	350	340	500	180	60	50
CACW 500 05	500	05	42.6	32	64	220.4	4200	190	400	320.64	125	285.66	350	340	500	180	60	50
CACW 500 10	500	10	46.7	32	64	218.8	4200	190	400	331.08	115	277.53	350	340	500	180	60	50
CACW 500 15	500	15	50.9	32	64	216.3	4200	190	400	336.17	100	267.63	350	340	500	180	60	50
CACW 500 20	500	20	55.3	32	64	215.1	4200	190	400	340.76	85	256	350	340	500	180	60	50
CACW 500 30	500	30	65.1	32	64	216.1	4200	190	400	347.83	55	237.75	350	340	500	180	60	50
CACW 500 40	500	40	77.1	32	64	220.4	4200	190	400	351.17	25	213.34	350	340	500	180	60	50
CACW 500 50	500	50	93.3	32	64	220.1	4200	190	400	348.77	-6	188.51	350	340	500	180	60	50
CACW 500 60	500	60	120	32	64	236.5	4200	190	400	332.75	-45	154.17	350	340	500	180	60	60
CACW 600 00	600	00	38.6	40	80	281.4	5600	190	550	313	138	292	350	340	600	180	60	50
CACW 600 05	600	05	42.6	40	80	277.9	5600	190	550	320.64	125	285.66	350	340	600	180	60	50
CACW 600 10	600	10	46.7	40	80	274.1	5600	190	550	331.08	115	277.53	350	340	600	180	60	50
CACW 600 15	600	15	50.9	40	80	272.3	5600	190	550	336.17	100	267.63	350	340	600	180	60	50
CACW 600 20	600	20	55.3	40	80	268.8	5600	190	550	340.76	85	256	350	340	600	180	60	50
CACW 600 30	600	30	65.1	40	80	276.6	5600	190	550	347.83	55	237.75	350	340	600	180	60	50
CACW 600 40	600	40	77.1	40	80	285.2	5600	190	550	351.17	25	213.34	350	340	600	180	60	50
CACW 600 50	600	50	93.3	40	80	283.5	5600	190	550	348.77	-6	188.51	350	340	600	180	60	50
CACW 600 60	600	60	120	40	80	295.6	5600	190	550	332.75	-45	154.17	350	340	600	180	60	60