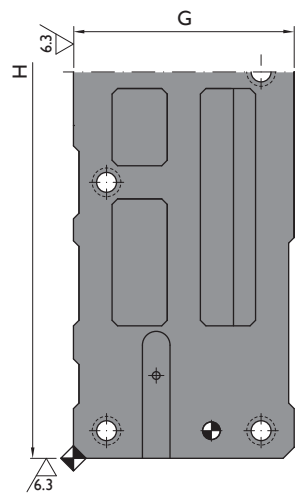
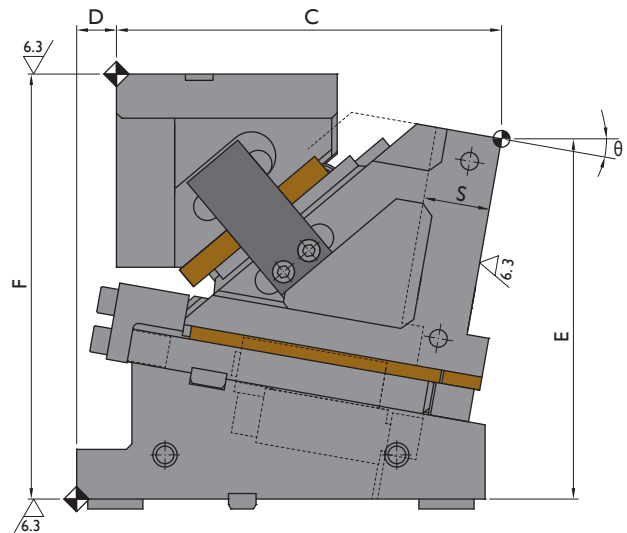
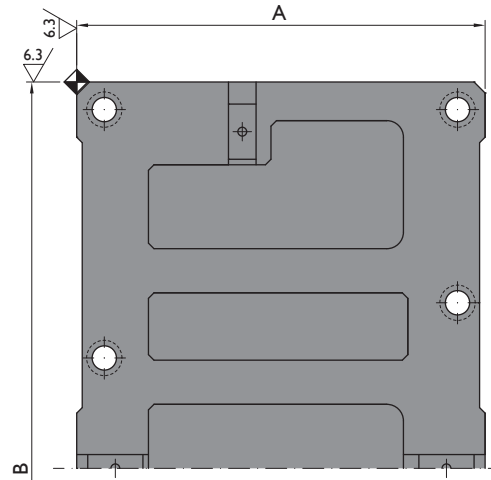
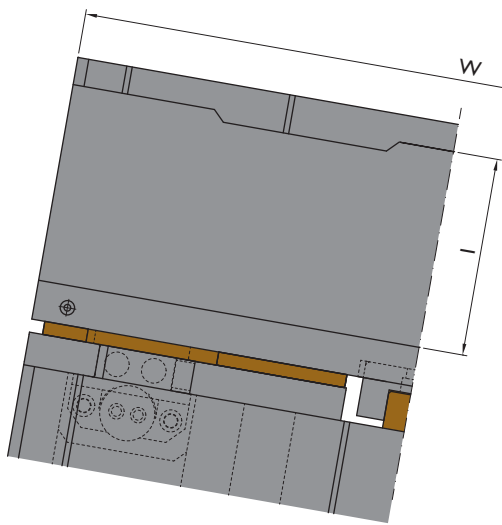
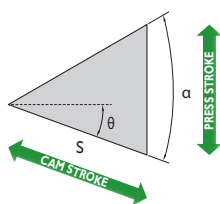


WEB

 CAD



CAM DIAGRAM



Ordering example: CDCL-W-θ-S
 CDCL-700-10-60

Order No.				Main Features			General Dimensions										
Model	W mm	θ °	S mm	Working Force tnf 300,000 strokes	Weight kg	Spring Force kgf	A mm	B mm	C mm	D mm	E mm	F mm	G mm	H mm	I mm	α °	
CDCL	500	00	60	32	316	2200	370	500	344	6	360	385	200	500	180	50	
CDCL	500	05	60	32	310	2200	370	500	347.2	21	343.27	385	200	500	180	50	
CDCL	500	10	60	32	306	2200	370	500	348.93	36	326.32	385	200	500	180	50	
CDCL	500	15	60	32	302	2200	370	500	349.17	51	309.29	385	200	500	180	50	
CDCL	500	20	60	32	298	2200	370	500	347.93	66	292.3	385	200	500	180	50	
CDCL	600	00	60	32	325	2200	370	500	344	6	360	385	200	500	180	50	
CDCL	600	05	60	32	318	2200	370	500	347.2	21	343.27	385	200	500	180	50	
CDCL	600	10	60	32	314	2200	370	500	348.93	36	326.32	385	200	500	180	50	
CDCL	600	15	60	32	310	2200	370	500	349.17	51	309.29	385	200	500	180	50	
CDCL	600	20	60	32	306	2200	370	500	347.93	66	292.3	385	200	500	180	50	
CDCL	700	00	60	48	436	2200	370	700	344	6	360	385	200	700	180	50	
CDCL	700	05	60	48	429	2200	370	700	347.2	21	343.27	385	200	700	180	50	
CDCL	700	10	60	48	421	2200	370	700	348.93	36	326.32	385	200	700	180	50	
CDCL	700	15	60	48	415	2200	370	700	349.17	51	309.29	385	200	700	180	50	
CDCL	700	20	60	48	410	2200	370	700	347.93	66	292.3	385	200	700	180	50	
CDCL	800	00	60	48	446	2200	370	700	344	6	360	385	200	700	180	50	
CDCL	800	05	60	48	438	2200	370	700	347.2	21	343.27	385	200	700	180	50	
CDCL	800	10	60	48	430	2200	370	700	348.93	36	326.32	385	200	700	180	50	
CDCL	800	15	60	48	424	2200	370	700	349.17	51	309.29	385	200	700	180	50	
CDCL	800	20	60	48	418	2200	370	700	347.93	66	292.3	385	200	700	180	50	
CDCL	900	00	60	64	571	4400	370	900	344	6	360	385	200	900	180	50	
CDCL	900	05	60	64	560	4400	370	900	347.2	21	343.27	385	200	900	180	50	
CDCL	900	10	60	64	551	4400	370	900	348.93	36	326.32	385	200	900	180	50	
CDCL	900	15	60	64	543	4400	370	900	349.17	51	309.29	385	200	900	180	50	
CDCL	900	20	60	64	536	4400	370	900	347.93	66	292.3	385	200	900	180	50	
CDCL	1000	00	60	64	579	4400	370	900	344	6	360	385	200	900	180	50	
CDCL	1000	05	60	64	569	4400	370	900	347.2	21	343.27	385	200	900	180	50	
CDCL	1000	10	60	64	560	4400	370	900	348.93	36	326.32	385	200	900	180	50	
CDCL	1000	15	60	64	551	4400	370	900	349.17	51	309.29	385	200	900	180	50	
CDCL	1000	20	60	64	544	4400	370	900	347.93	66	292.3	385	200	900	180	50	